



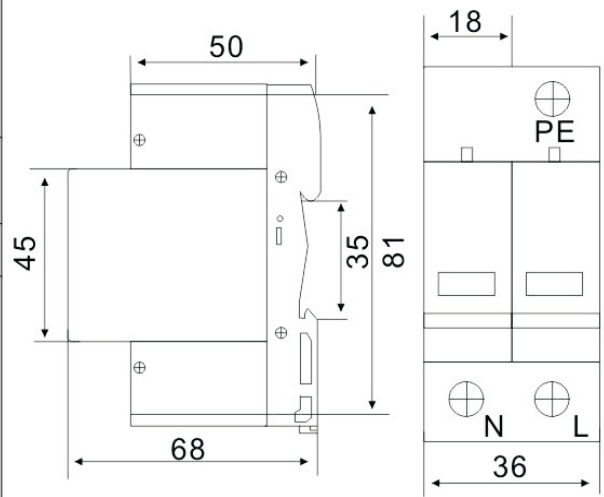
**SURGE PROTECTION DEVICE (SPD)
SA240**

PRODUCT IMAGE

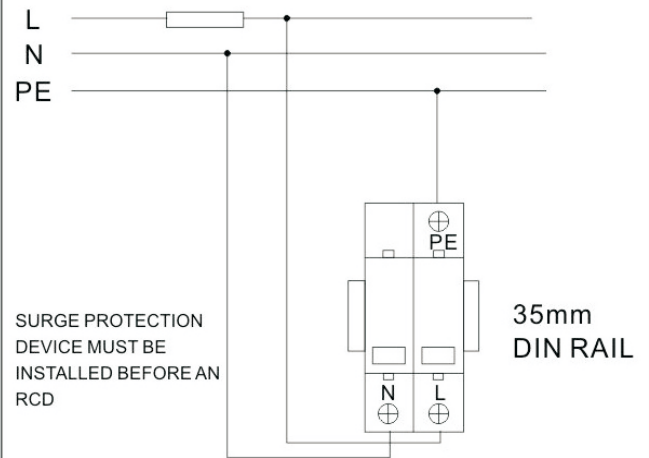


CAUTION:
WHEN CONDUCTING INSULATION RESISTANCE TESTING WITH SPD FITTED IT IS RECOMMENDED EITHER THE EARTH CONNECTION OR THE PLLUG IN CARTRIDGES ARE REMOVED.
IF YOU DO NOT WISH TO REMOVE THE CARTRIDGES OR EARTH CONNECTION, THEN TESTING MUST BE AT A MAXIMUM OF 250V DC.

DIMENSIONS



CONNECTION DIAGRAM



PRODUCT DATA

| | |
|--|--|
| PART NUMBER | SA240 |
| DESCRIPTION | SURGE PROTECTION DEVICE T2(2+0) |
| STANDARD | EN 61643-11(Type 2)/IEC61643-1(Class) |
| FLAG INDICATION | GREEN:GOOD RED:REPLACE |
| THCHNOLOGY | MOV(METALOXIDE VARISTOR) |
| TECHNOLOGY | 230V |
| VOLTAGE(Un) | TN |
| SYSTEM | 6mm ² -16mm ² |
| TERMINAL CAPACITY | 2.5Nm |
| RECOMMENDED TORQUE | Ip20 |
| DEGREE OF PROTECTION | 35mm DIN RAIL |
| MOUNTING | 275V |
| MAXIMUM OPERATING VOLTAGE(Uc) | 20kA |
| NOMINAL DISCHARGE CURRENT(In 8/20us) | 40kA |
| NOMINAL DISCHARGE CURRENT(I _{max} 8/20us) | ≤1.5kV |
| VOLTAGE PROTECTION LEVEL | ≤25ns |
| RESPONSE TIME | 125A fuse gG |
| BACK UP PUSE | 1 (supplied complete with L, N&E cables 6mm ²) |
| INNER CARTON QTY | CHINA |
| ORIGIN OF MANUFACTURE | |



SPD SURGE PROTECTION DEVICE Instruction Leaflet

1 18th Edition and what it says:-

"443.4 Overvoltage control

Protection against transient overvoltage's shall be provided where the consequence caused by overvoltage could be:

- i) Result in serious injury to, or loss of, human life, or
- ii) Result in interruption of public services or damage to cultural heritage, or
- iii) Result in interruption to commercial or industry activity, or
- iv) Affect a large number of co-located individuals

For all other cases, a risk assessment according to Regulation 443.5 shall be performed in order to determine if protection against transient overvoltage is required.

2 Technical information

- 2a SPD (surge protection device) must be installed by a qualified electrician in accordance with the current IET Wiring Regulations BS7671.
- 2b The surge protection devices are for TN systems only.
- 2c The range of SPDs are designed and tested for the CASTLEC range of consumer units.
- 2d It is recommended that minimum 6mm² CSA cable is used with a maximum length no greater than 50cm.

3 Mounting

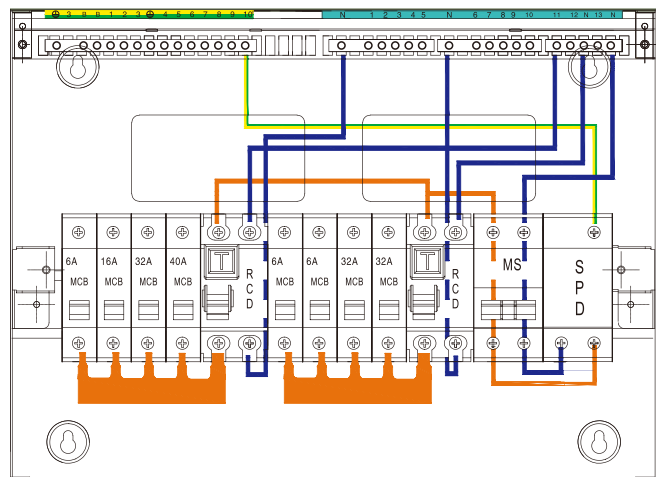
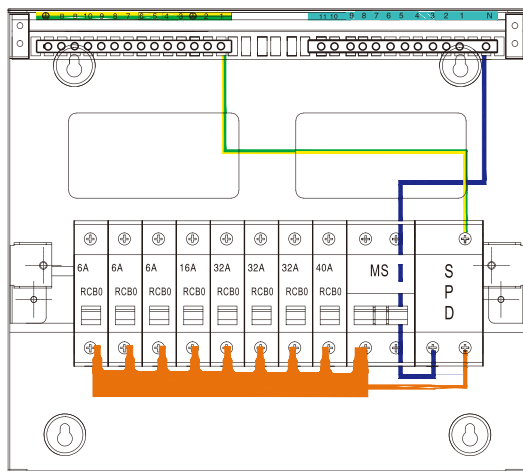
- 3a CASTLEC 18th Edition consumer units have a designated 2module cut-out to the right hand side of the incomer to mount the SPD on the din rail (if not already fitted).

4 Connection

- 4a When connecting device into a TN system please follow the connection diagram

5 Testing

- 5a After completion of the installation, it must be tested in accordance with the latest edition of the IET Wiring Regulations for Electrical Installations (BS 7671).



CAUTION:

WHEN CONDUCTING INSULATION RESISTANCE TESTING WITH SPD FITTED IT IS RECOMMENDED EITHER THE EARTH CONNECTION OR THE PLUG IN CARTRIDGES ARE REMOVED.

IF YOU DO NOT WISH TO REMOVE THE CARTRIDGES OR EARTH CONNECTION, THEN TESTING MUST BE AT A MAXIMUM OF 250V DC.

REGULAR VISUAL CHECKS MUST BE CARRIED OUT. IF INDICATOR CHANGES TO RED THE CARTRIDGE MUST BE REPLACED TO MAINTAIN SURGE PROTECTION

Before fitting the front cover, check all connections including factory made connections are TORQUED. Loose connections can cause fires!!!!

After installation and testing of this product it is essential that the INSTRUCTION LEAFLET is available for reference